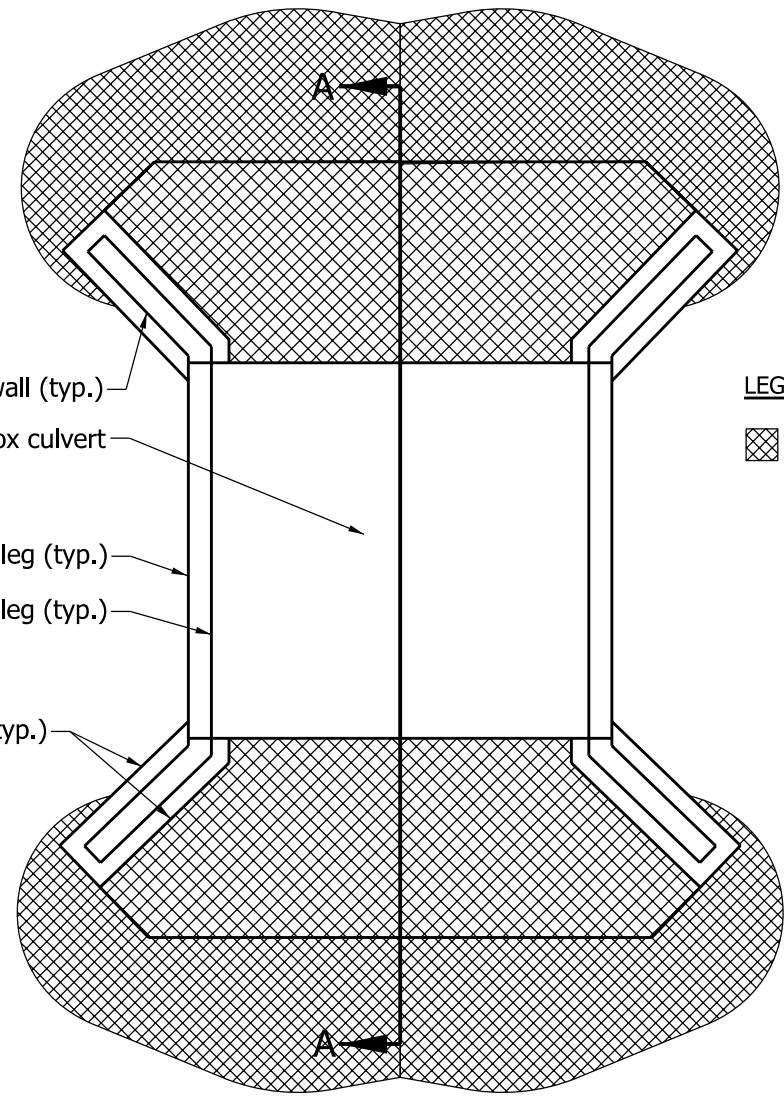
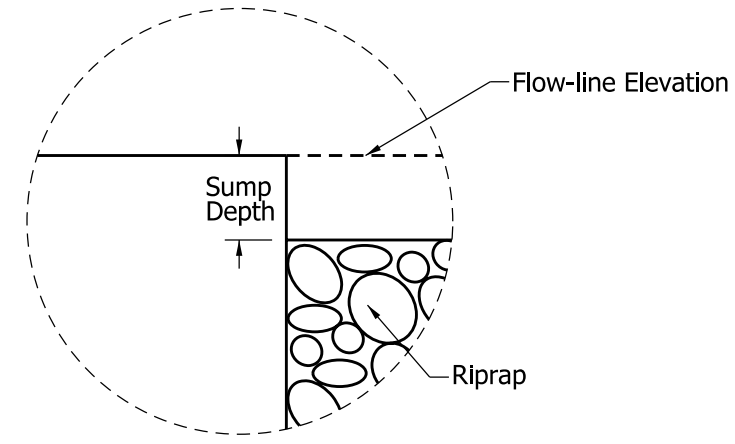



**SECTION A-A ELEVATION**

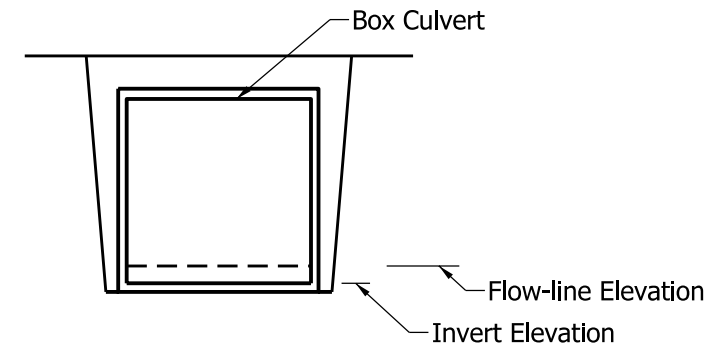


**PLAN - WITH WINGWALLS**



**DETAIL A**

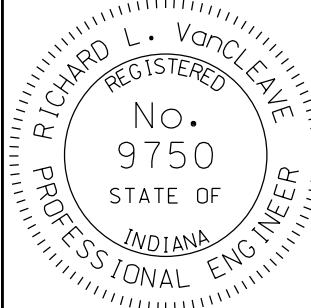
**LEGEND:**  
 Riprap on geotextiles as shown on the plans.



**SECTION B-B**

Wingwall (typ.)  
 Bottom of box culvert  
 Outside face of box culvert leg (typ.)  
 Inside face of box culvert leg (typ.)

Wingwall footing (typ.)

INDIANA DEPARTMENT OF TRANSPORTATION	
BOX CULVERT SUMPING AND SCOUR PROTECTION	
SEPTEMBER 2011	
STANDARD DRAWING NO.	E 714-BCSP-01
	/s/ <i>Richard L. VanCleave</i> 09/01/11
	DESIGN STANDARDS ENGINEER DATE
	/s/ <i>Mark A. Miller</i> 09/01/11
	CHIEF HIGHWAY ENGINEER DATE
DESIGN STANDARDS ENGINEER	